

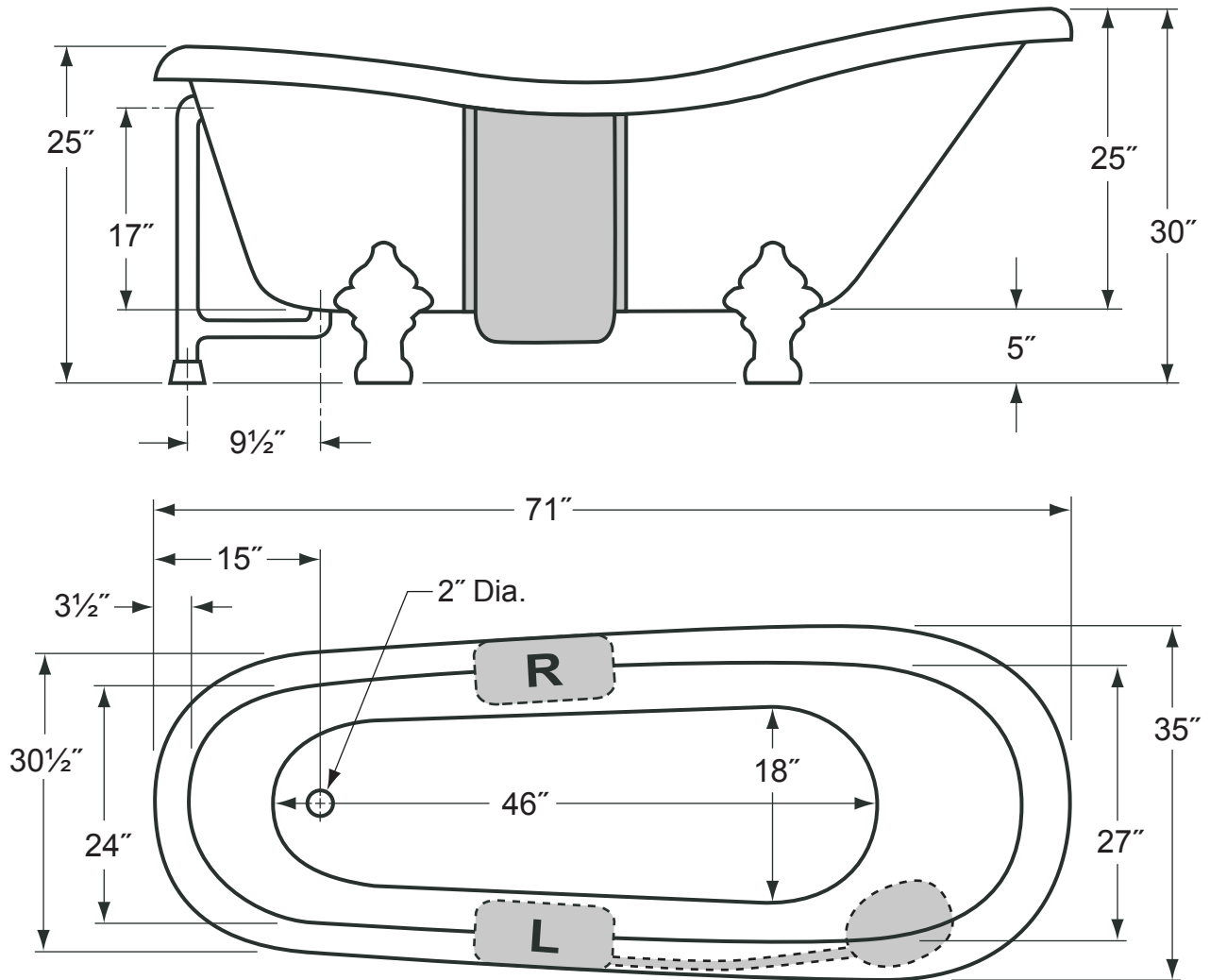


**Overall Dimensions:** 71" L x 35" W x 30" H

**Capacity:** 58 Gallons

**Weight:** Dry wt. = 181 lbs.

Full wt. = 665 lbs.



- Shaded areas only included on models with Champagne Massage®.
- Choose "L" (Left Side) or "R" (Right Side) blower location when ordering a bathtub with Champagne Massage®.
- Champagne Massage® blower unit (12"L x 7"W x 10"H) is connected with a three foot adjustable hose and fits within the overall dimensions of the bathtub.
- The illustration above is shown with the standard Waste & Overflow.
- Dimensions shown have a tolerance of  $\pm \frac{1}{2}$ ". Dimensions shown not to scale.
- See Clawfoot Guide (included with tub) for detailed installation instructions.

