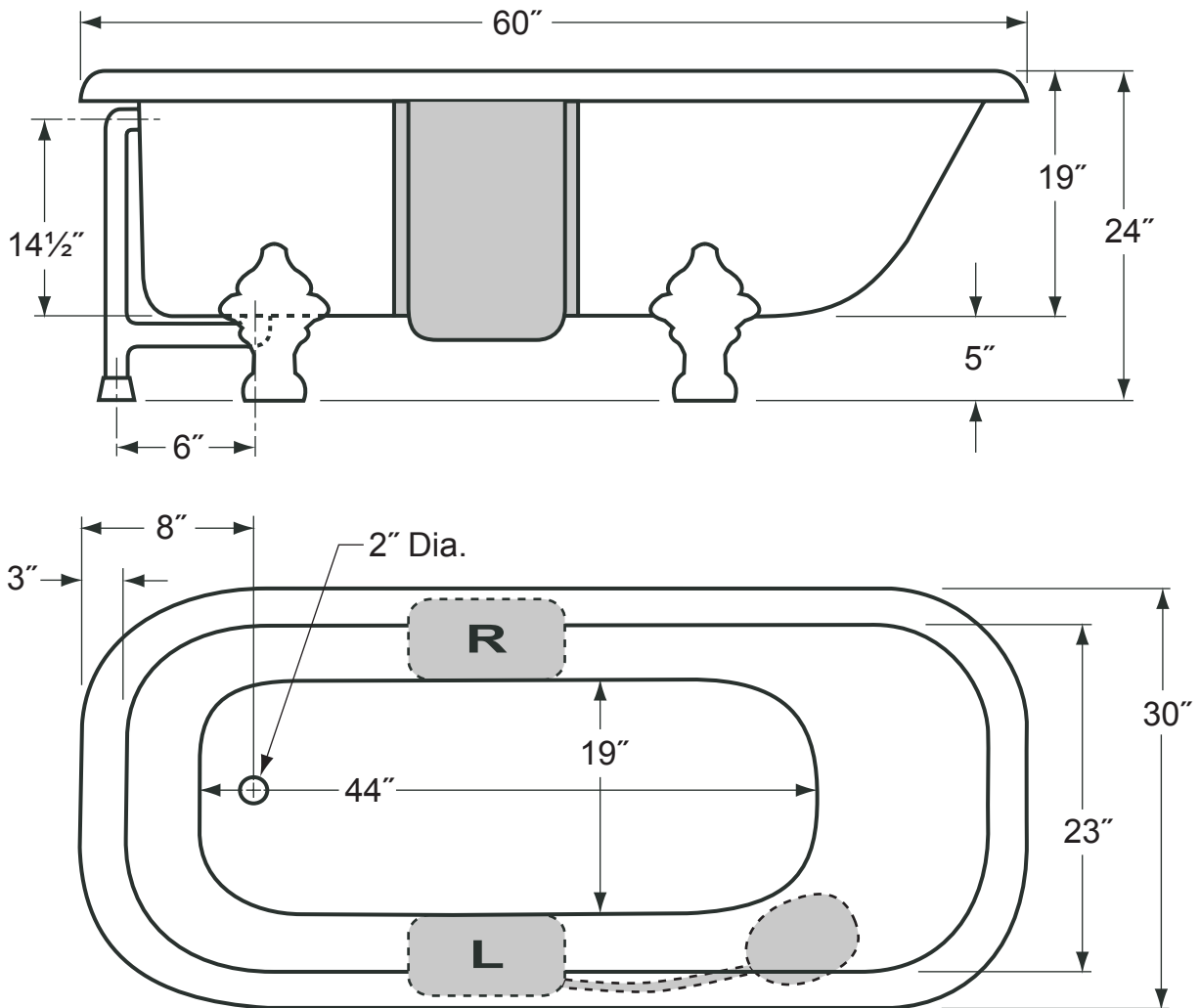




Overall Dimensions: 60" L x 30" W x 24" H  
Capacity: 40 Gallons



- Shaded areas only included on models with Champagne Massage®.
- Choose "L" (Left Side) or "R" (Right Side) blower location when ordering a bathtub with Champagne Massage®.
- Champagne Massage® blower unit (12"L x 7"W x 10"H) is connected with a three foot adjustable hose and fits within the overall dimensions of the bathtub.
- The illustration above is shown with the standard Waste & Overflow.
- Dimensions shown have a tolerance of  $\pm 1/2"$ . Dimensions shown not to scale.
- See Clawfoot Guide (included with tub) for detailed installation instructions.

