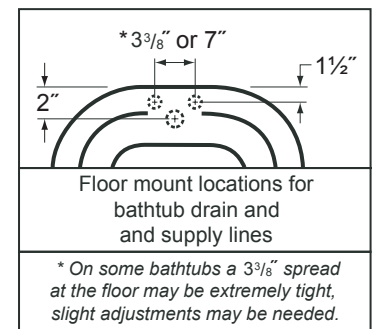
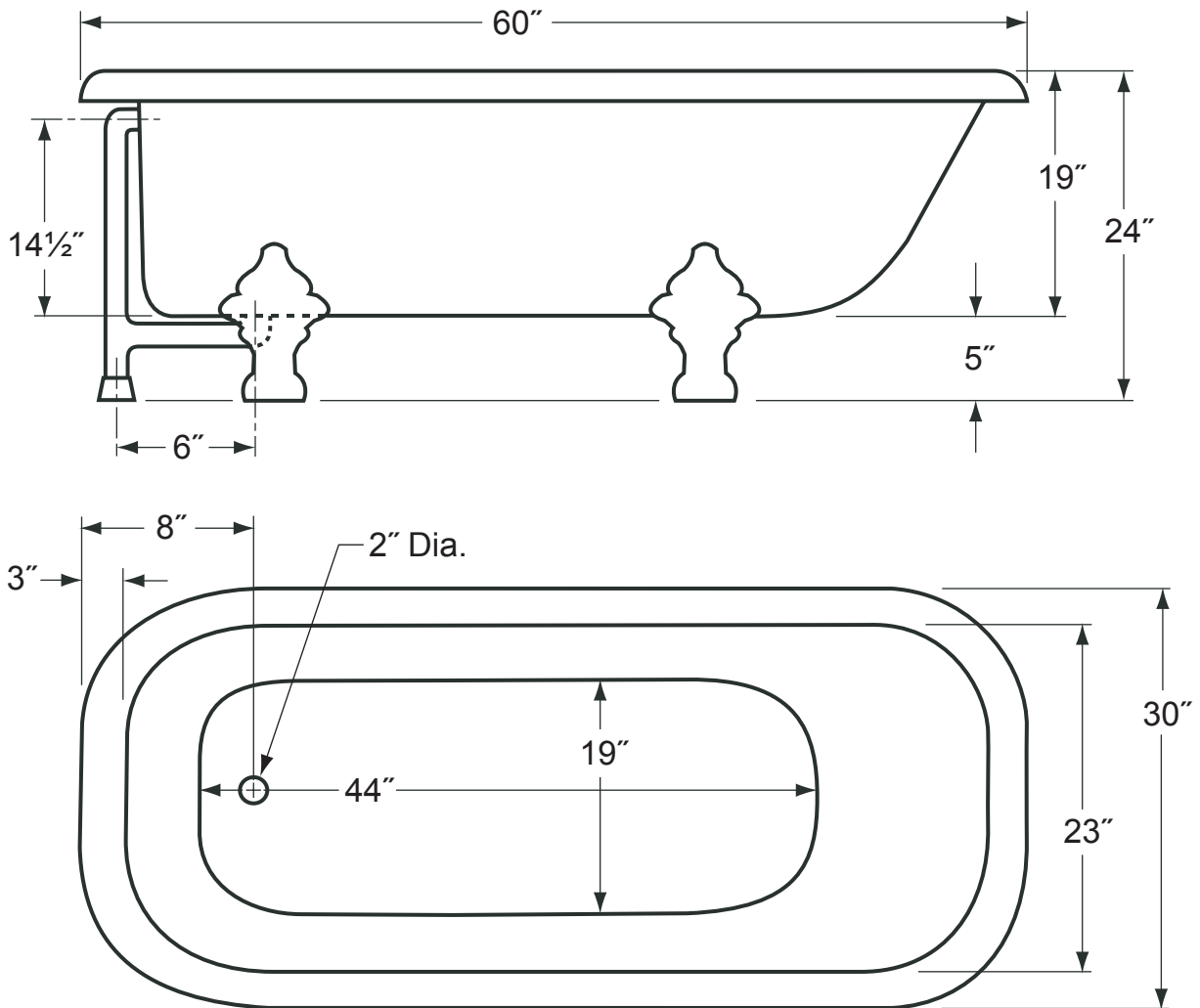




Overall Dimensions: 60" L x 30" W x 24" H

Capacity: 40 Gallons

Weight: Dry wt. = 140 lbs.
Full wt. = 474 lbs.



- The illustration above is shown with the standard Waste & Overflow.
- Dimensions shown have a tolerance of $\pm \frac{1}{2}$ ". Dimensions shown not to scale.
- See Clawfoot Guide (included with tub) for detailed installation instructions.

