

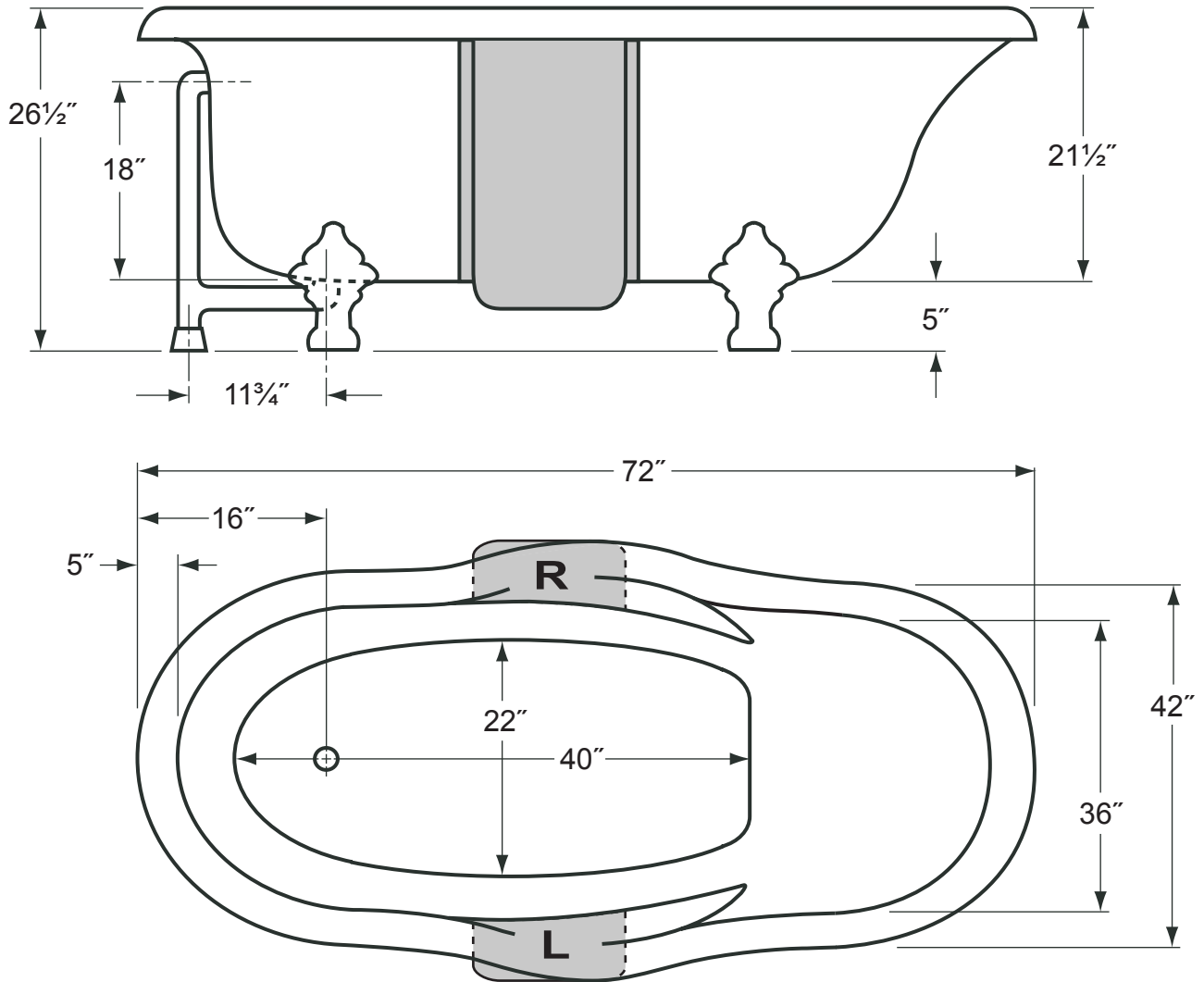


**Overall Dimensions:** 72" L x 42" W x 26½" H

**Capacity:** 60 Gallons

**Weight:** Dry wt. = 209 lbs.

Full wt. = 709 lbs.



\* Champagne Massage® is **not** available on the Victoria.

- Shaded areas show the location of the whirlpool pump.
- Choose "L" (Left Side) or "R" (Right Side) pump location when ordering the Victoria.
- The illustration above is shown with the standard Waste & Overflow.
- Dimensions shown have a tolerance of  $\pm \frac{1}{2}$ ". Dimensions shown not to scale.
- See Clawfoot Guide (included with tub) for detailed installation instructions.

