

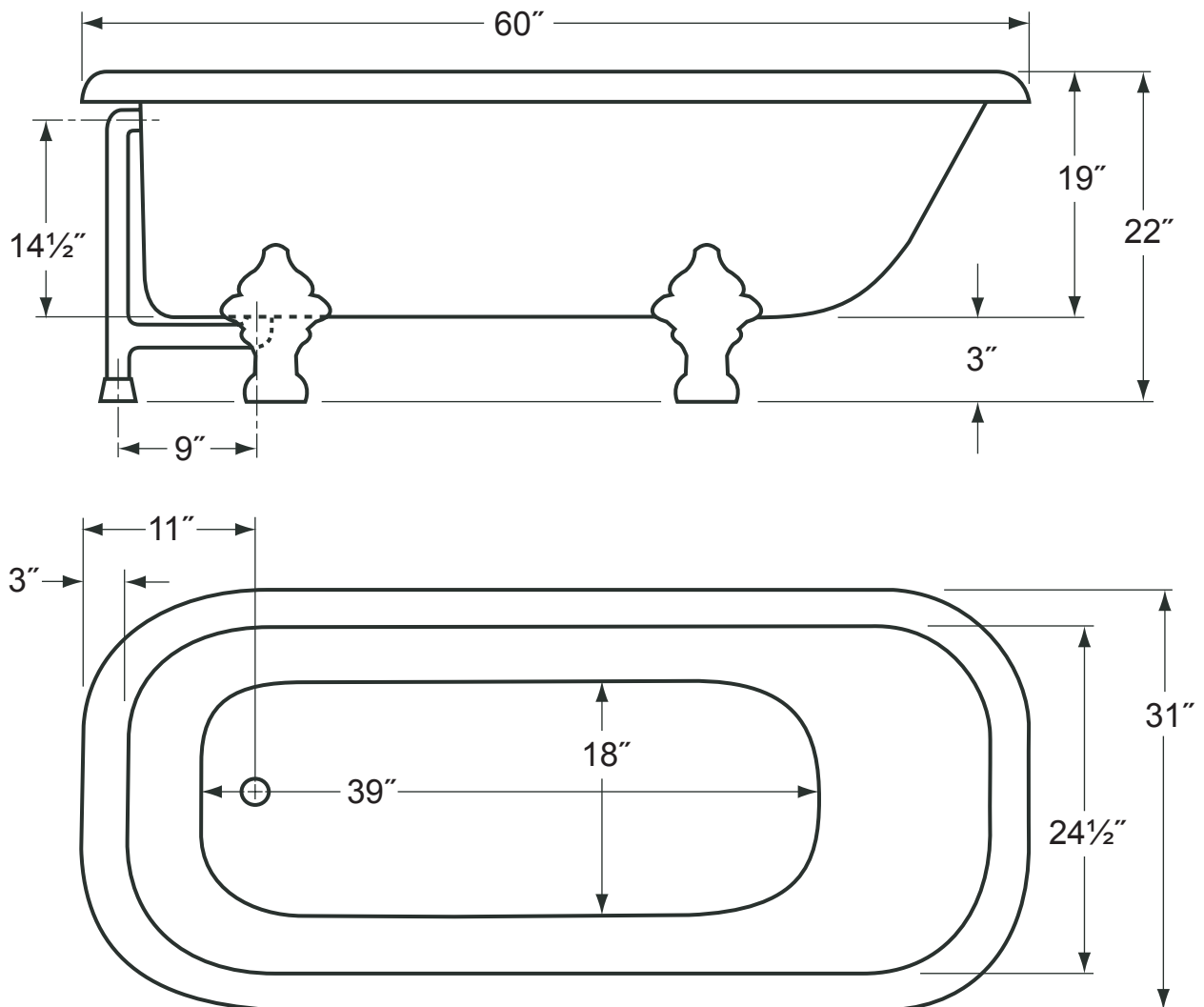


Overall Dimensions: 60" L x 31" W x 22" H

Capacity: 40 Gallons

Weight: Dry wt. = 325 lbs.

Full wt. = 659 lbs.



- The illustration above is shown with the standard Waste & Overflow.
- Dimensions shown have a tolerance of $\pm \frac{1}{2}$ ". Dimensions shown not to scale.
- See *Clawfoot Guide* (included with tub) for detailed installation instructions.

