



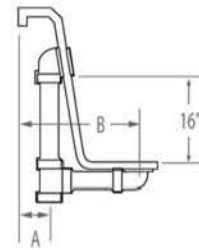
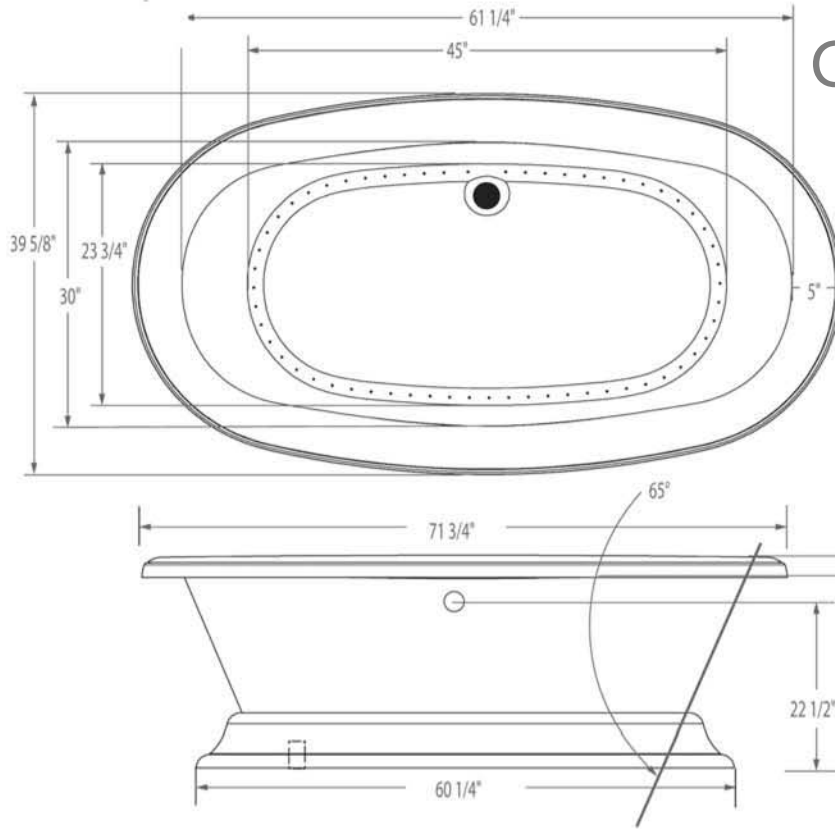
## TECHNICAL SPECIFICATIONS

### Carrington 7242CF

Formerly Serenity 11

71 3/4 x 39 5/8 x 27 (1820 x 1005 x 685)

inches (mm)



**FEATURES** lbs (kg) Dimensional Tolerance ± 3/8". Dimensions needed for site preparation should be measured from the unit. Aquatic assumes no responsibility for preparatory work.

Type and Model #	Material	System	Powered By	Heater	Controls	Drain	Pkg. Wt.
Soaker #A111AIR7240PTO	Acrylic	-	-	-	-	Center Front	519 (235)
Air Bath #A111AIR7240P	Acrylic	Air channel	Variable speed blower	Inline	Electronic	Center Front	549 (249)

### DIMENSIONS inches (mm)

Width	Depth	Height	Skirt Height
Overall / Net	Overall / Net	Overall / Net	
71 3/4 (1820)	39 5/8 (1005)	27 (685)	-

### SUMP DATA inches (mm)

Capacity to Overflow gal (ltr)	Min. Operating Capacity gal (ltr)	WIDTH @ centerline		DEPTH @ centerline	
		Top	Bottom	Top	Bottom
78 (295)	-	61 1/4 (1555)	45 (1145)	30 (760)	23 3/4 (605)

### PLUMBING DIMENSIONS inches (mm)

A	B	Drain Diameter / Clearance
4 3/4 (120)	12 1/8 (310)	2 (50) / 4 5/8 (115)

### ELECTRICAL DATA

Component	Specification	Requirement
Heated Blower (Air Bath)	10.5 AMP; 120V	15 AMP; 120V, separate circuit; Class A GFCI

**NOTES:**

1) Where applicable, utilize cut-out templates packed with unit for deck cutouts.

2) 16 x 16 (405 x 405) minimum access required at pump/blower location(s).

Each Serenity air bath is equipped with an air heating system to raise the temperature of the air entering the bath. This air temperature will be lower than the bathing temperature of the water, but will help reduce rapid decrease in water temperature. In addition, the air coming from the air jets will feel cool against the skin. This system does not heat the water.