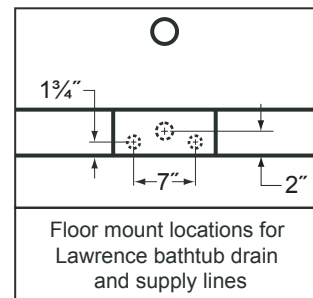
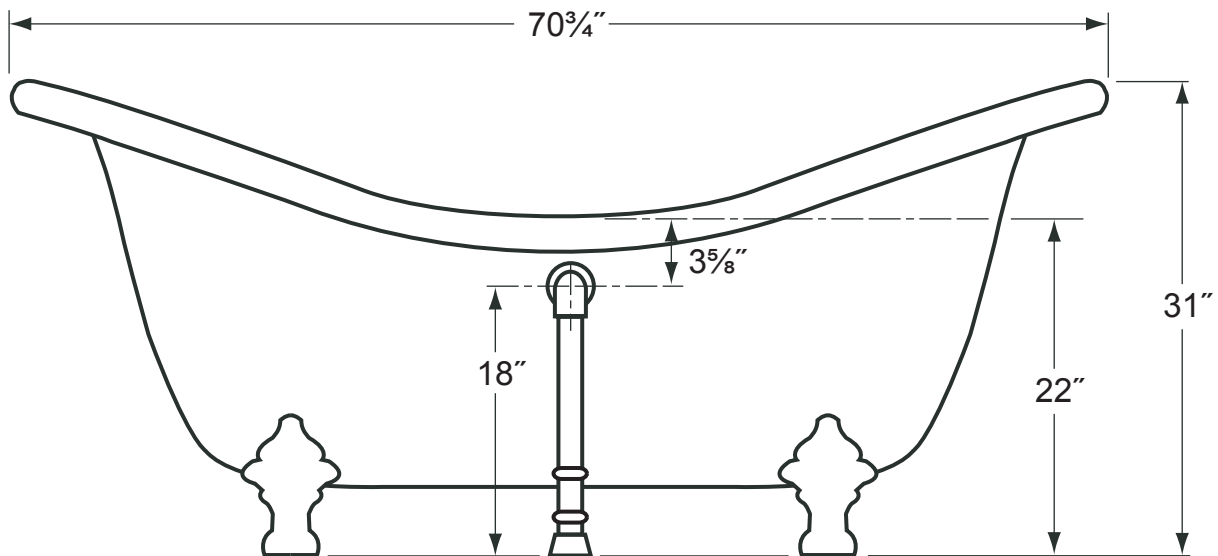
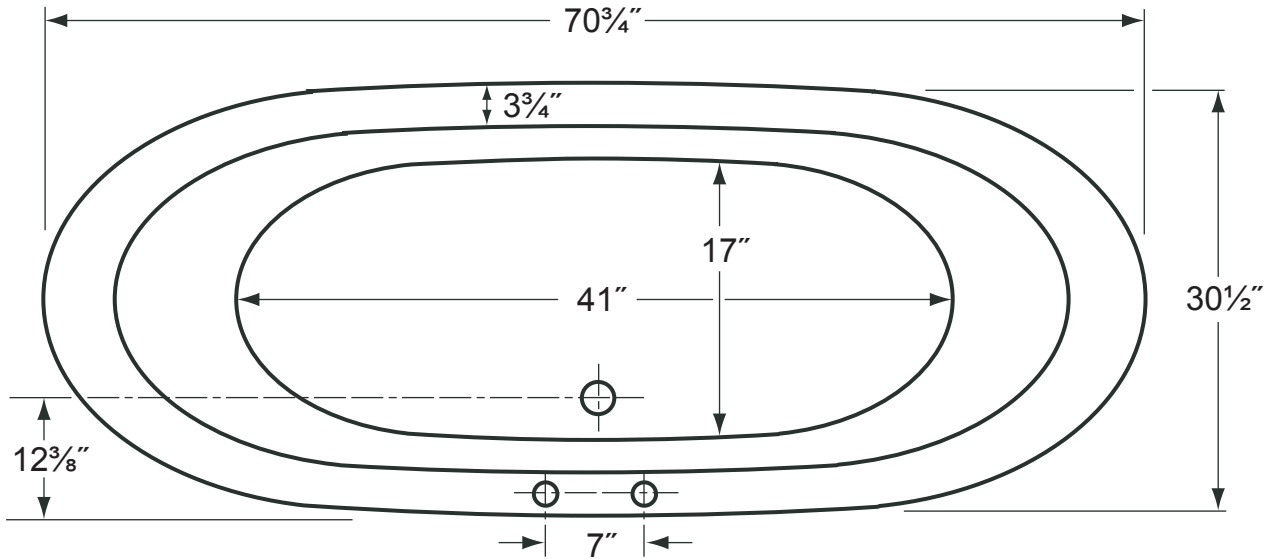




Overall Dimensions: 70³/₄" x 30¹/₂" x 31"

Capacity: 44 Gallons

Weight: Dry weight = 445 lbs. / Filled weight = 810 lbs.



- The illustration above is shown with the standard Waste & Overflow.
- Dimensions shown have a tolerance of ± 1/2". Dimensions shown not to scale.

