

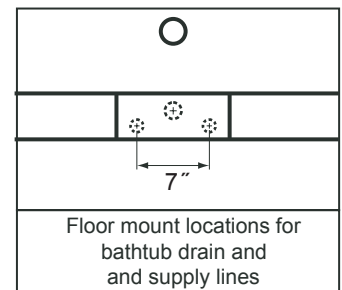
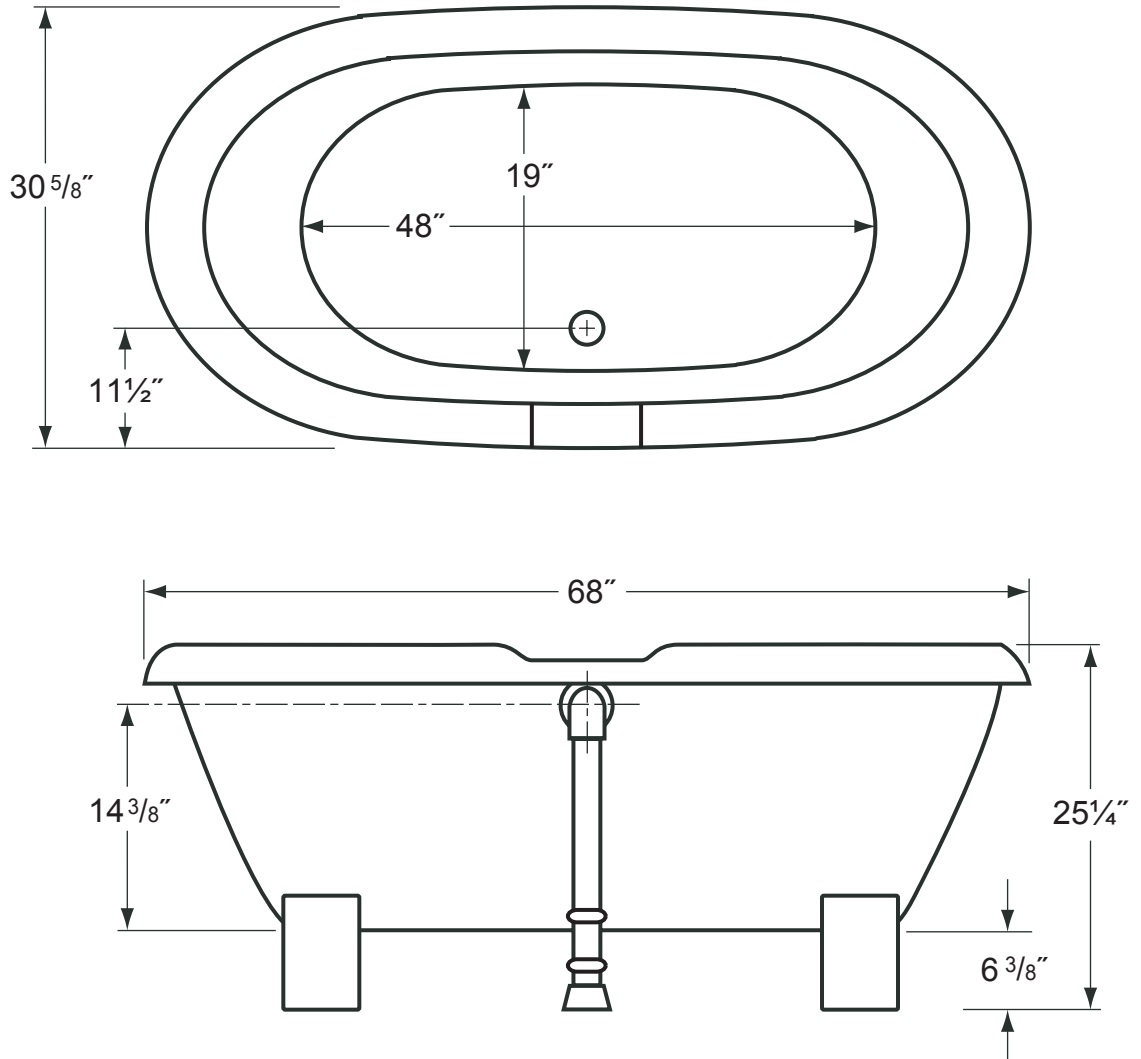


Overall Dimensions: 68" x 30⁵/₈" x 25¹/₄"

Capacity: 56 Gallons

Weight: Dry wt. = 75 lbs.

Full wt. = 568 lbs.



- The illustration above is shown with the standard Waste & Overflow.
- Dimensions shown have a tolerance of $\pm \frac{1}{2}$ ". Dimensions shown not to scale.

