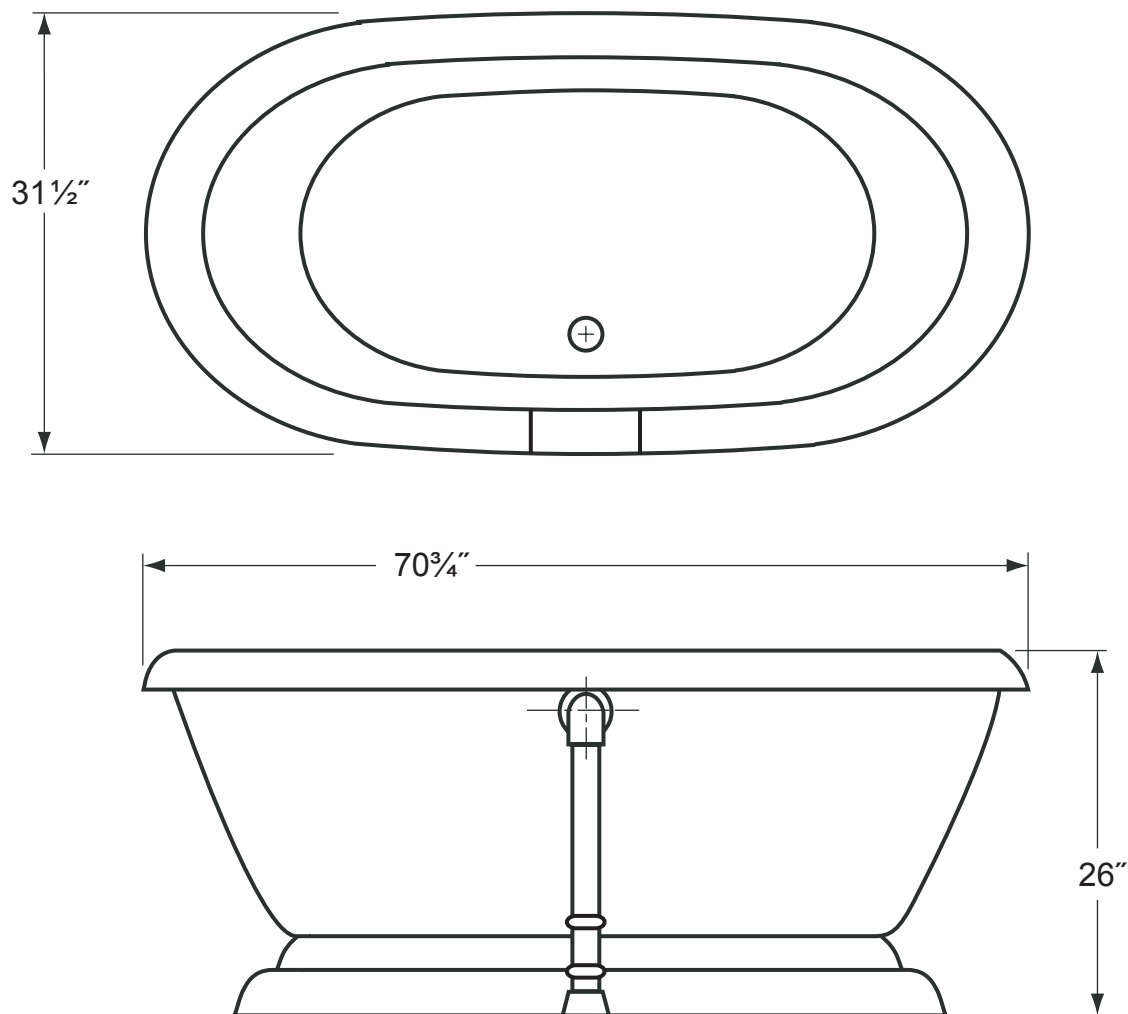




Overall Dimensions: 70¾" x 31½" x 26"

Capacity: 72 Gallons

Weight: Dry weight = 75 lbs.



- The illustration above is shown with the standard Waste & Overflow.
- Dimensions shown have a tolerance of $\pm \frac{1}{2}$ ". Dimensions shown not to scale.

