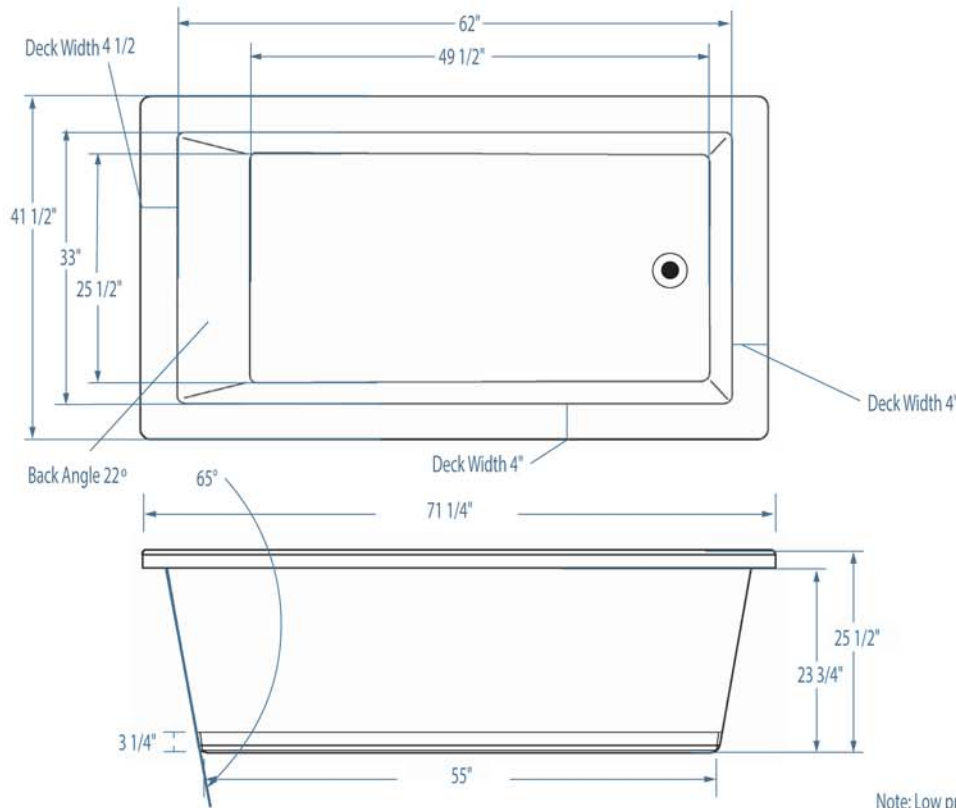




SoCo 7242F

Formerly Serenity 23

71 1/4 x 41 1/2 x 25 1/2 inches



Note: Low profile pedestal prohibits use of decorative drain pipe flange.

FEATURES

Dimensional Tolerance $\pm 3/8"$. Dimensions needed for site preparation should be measured from the unit. Manufacturer assumes no responsibility for preparatory work.

Type and Model #	Material	System	Powered By	Heater	Controls	Drain	Pkg. Wt. lbs
Soaker #W23AIR7242FTO	Acrylic	-	-	-	-	Universal	273
Air Bath #W23AIR7242F	Acrylic	Air injection	Variable speed blower	Integrated	Electronic	Universal	303

DIMENSIONS inches

Width Inches	Depth Inches	Height Inches	Skirt Height
71 1/4	41 1/2	25 1/2	-

SUMP DATA inches

Capacity to Overflow gal	Min. Operating Capacity gal	WIDTH @ centerline		DEPTH @ centerline	
		Top	Bottom	Top	Bottom
113	-	62	49 1/2	33	25 1/2

PLUMBING DIMENSIONS inches

A	B	Drain Diameter / Clearance
3 1/2	12 1/2	

ELECTRICAL DATA

Component	Specification	Requirement
Heated Blower (Air Bath)	10.5 AMP; 120V	15 AMP; 120V, separate circuit; Class A GFCI

NOTES:

- Where applicable, utilize cut-out templates packed with unit for deck cutouts.
- 16 x 16 minimum access required at pump/blower location(s).

Each Serenity air bath is equipped with an air heating system to raise the temperature of the air entering the bath. This air temperature will be lower than the bathing temperature of the water, but will help reduce rapid decrease in water temperature. In addition, the air coming from the air jets will feel cool against the skin. This system does not heat the water.