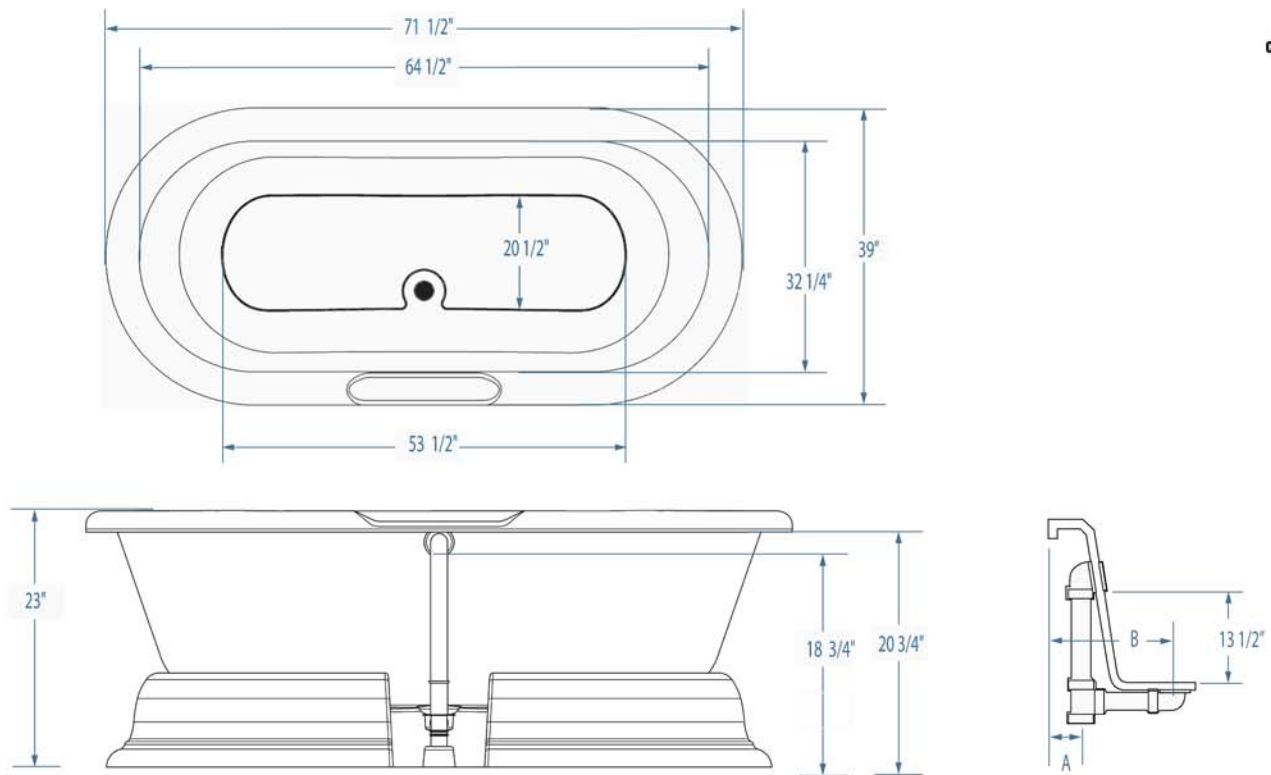




TECHNICAL SPECIFICATIONS

VIOLET 7239CF

71 1/2 x 39 x 23
inches



FEATURES

Dimensional Tolerance $\pm 3/8"$. Dimensions needed for site preparation should be measured from the unit. Manufacturer assumes no responsibility for preparatory work.

Type and Model #	Material	Drain	Pkg. Wt. lbs
Soaker #AIY6717PTO	Acrylic	Center Front	194

DIMENSIONS inches

Width	Depth	Height	Skirt Height
71 1/2	39	23	-

SUMP DATA inches

Capacity to Overflow gal	Min. Operating Capacity gal	WIDTH @ centerline		DEPTH @ centerline	
		Top	Bottom	Top	Bottom
79	-	64 1/2	53 1/2	32 1/4	20 1/2

PLUMBING DIMENSIONS inches

A	B	Drain Diameter / Clearance
2	11 3/4	