

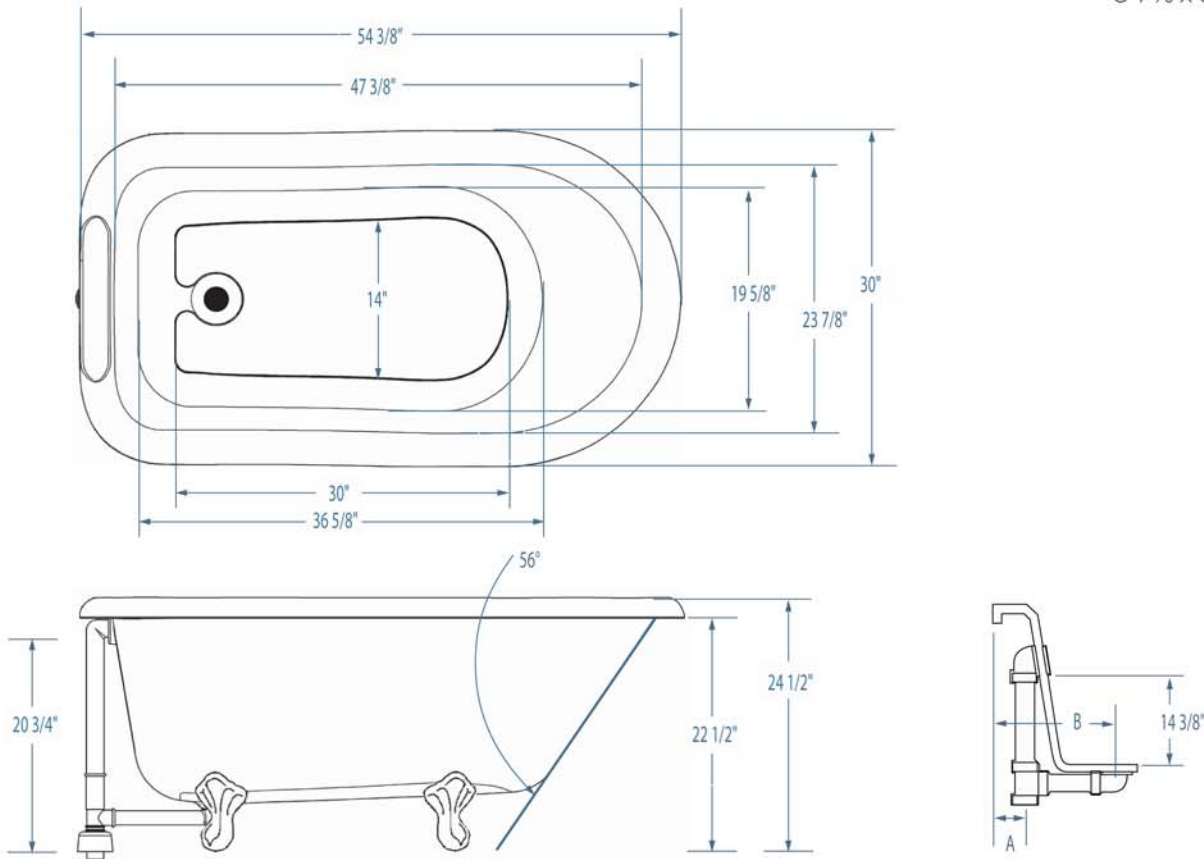


TECHNICAL SPECIFICATIONS

WINNIE 5430F

Formerly Serenity 45

54 3/8" x 30" x 24 1/2"
inches



FEATURES Dimensional Tolerance $\pm 3/8"$. Dimensions needed for site preparation should be measured from the unit. Manufacturer assumes no responsibility for preparatory work.

Type and Model #	Material	Drain	Pkg. Wt. lbs
Soaker #AIY5417TO	Acrylic	End	110

DIMENSIONS inches

Width	Depth	Height	Skirt Height
54 3/8"	30"	24 1/2"	-

SUMP DATA inches

Capacity to Overflow gal	Min. Operating Capacity gal	WIDTH @ centerline		DEPTH @ centerline	
		Top	Bottom	Top	Bottom
41	-	47 7/8"	36 3/8"	23 7/8"	19 3/8"

PLUMBING DIMENSIONS inches

A	B	Drain Diameter / Clearance
1 7/8"	12 1/4"	